

TRUXPORT®

Another Fine Tonneau Cover by TruXedo

Owners & Installation Manual

READ INSTRUCTIONS - Failure to assemble cover properly will void warranty.



Damaged or missing parts?
Call **1-877-878-9336**
Mon - Fri 8 am - 5 pm CT
Parts will be shipped to you factory direct.
Do not return kit to place of purchase.

Specify length or make and model of vehicle to inquire about headers, cover, side rails, or bows.

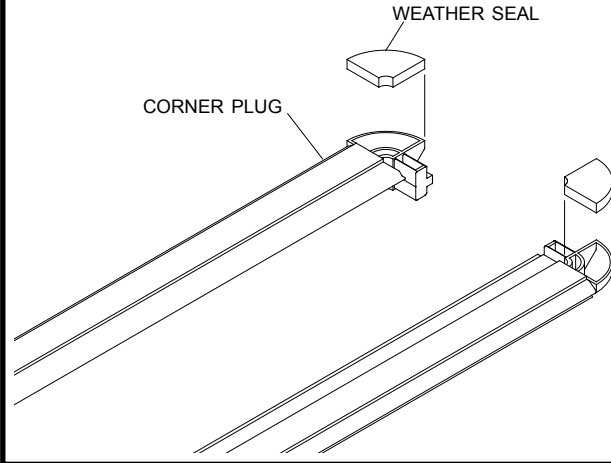
Tools Required:
1/2" Socket

TruXedo, Inc.

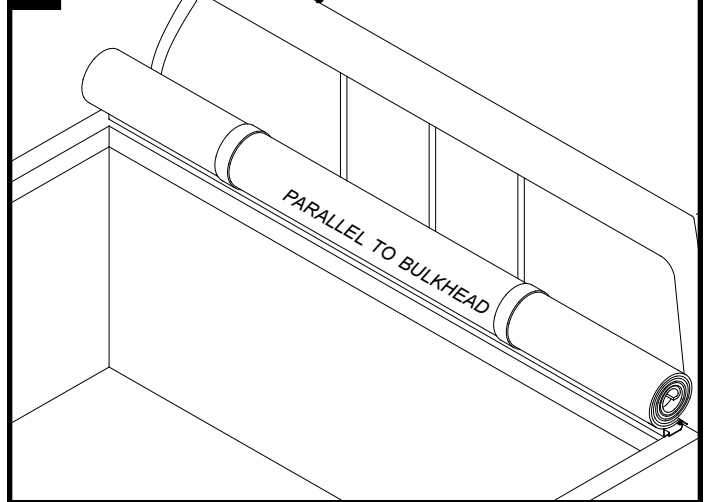
P.O. Box 1078, 2209 Kellen Gross Dr., Yankton, South Dakota 57078
Call Toll Free: 1-877-TRUXEDO (1-877-878-9336) FAX: (605) 664-9304
Visit Us Online: <http://www.truxedo.com>

P/N 1116032 Rev W

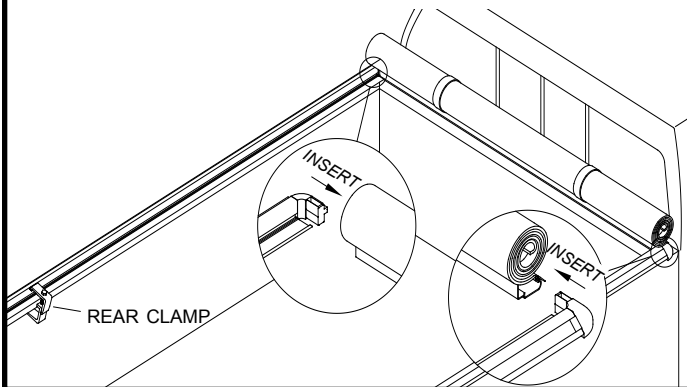
1 Install weather seal on cab end corner plugs:



2 Set cover assembly on front bulkhead:



3 Place side rails on pickup bed rails. Assemble clamps. Place rear clamps loosely over side rails & pickup bed rails. Insert side rail corner plugs into header:



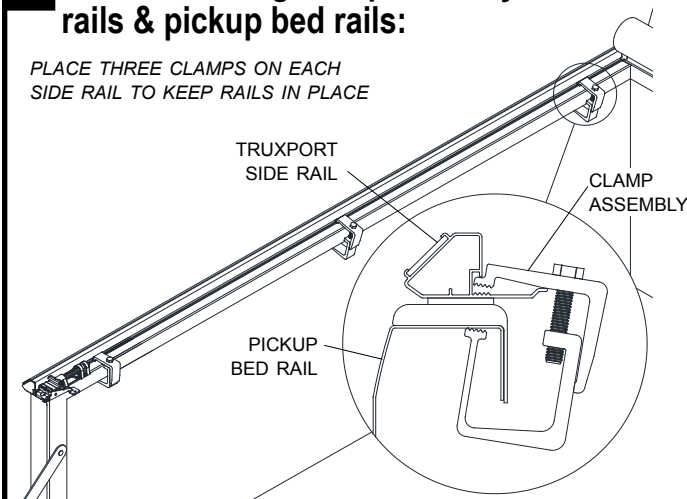
4

NOTE:

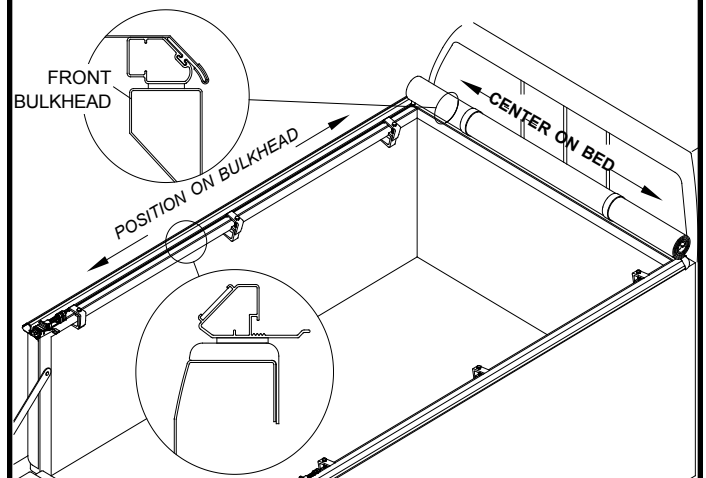
Additional weather seal may be required for pickups with bed caps, tailgate protectors, or liners. Add weather seal if needed to seal appropriately.

5 Place remaining clamps loosely over side rails & pickup bed rails:

PLACE THREE CLAMPS ON EACH SIDE RAIL TO KEEP RAILS IN PLACE



6 Align cover with pickup bed:

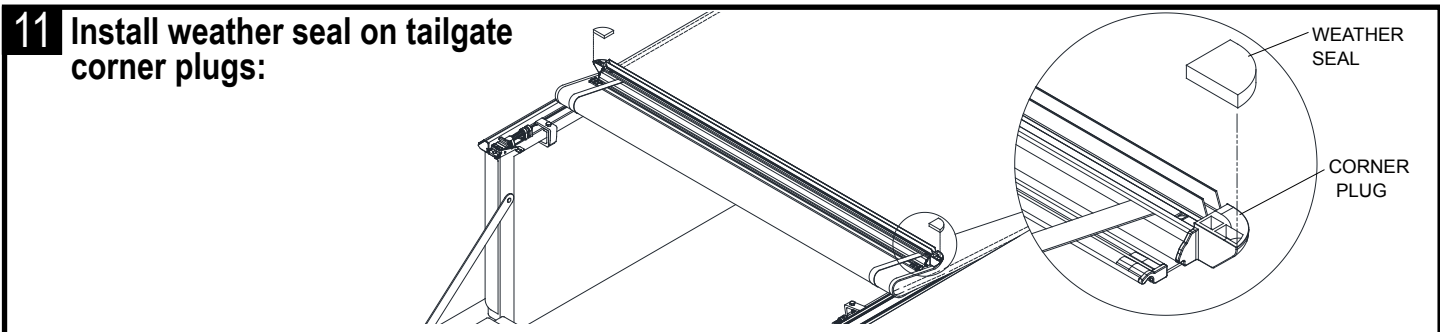
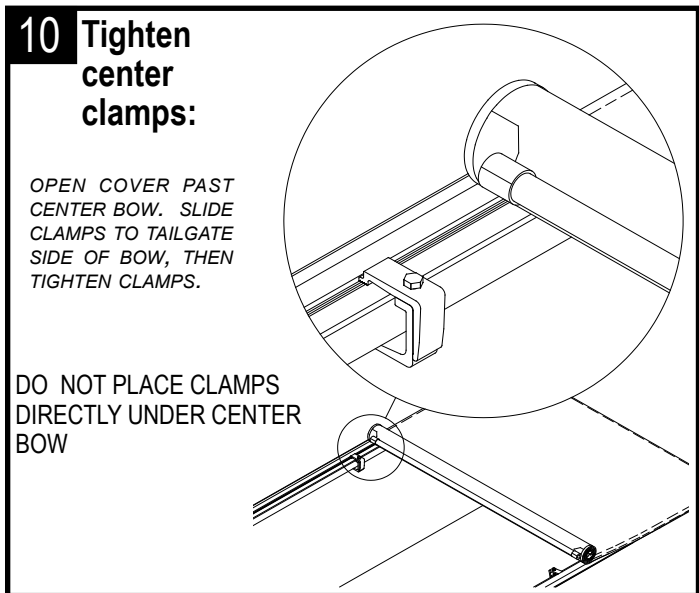
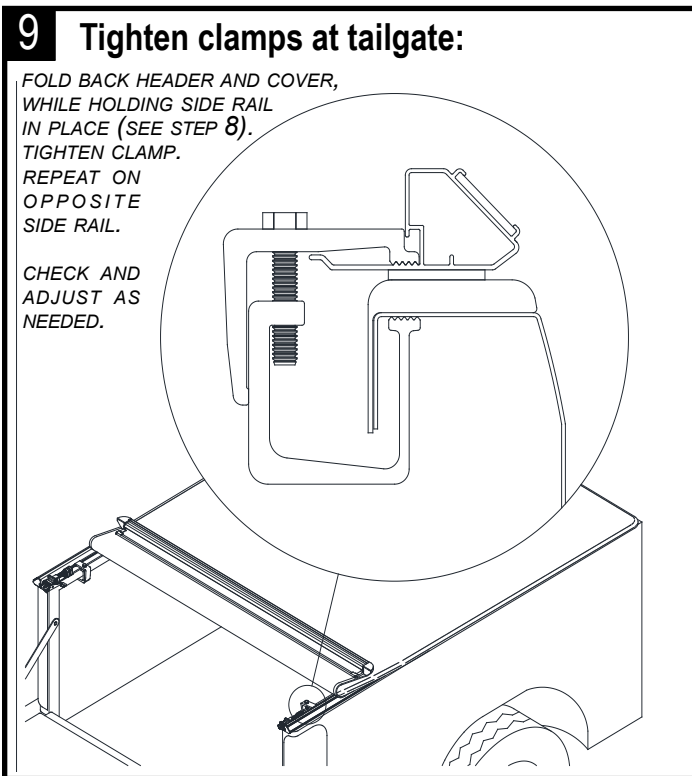
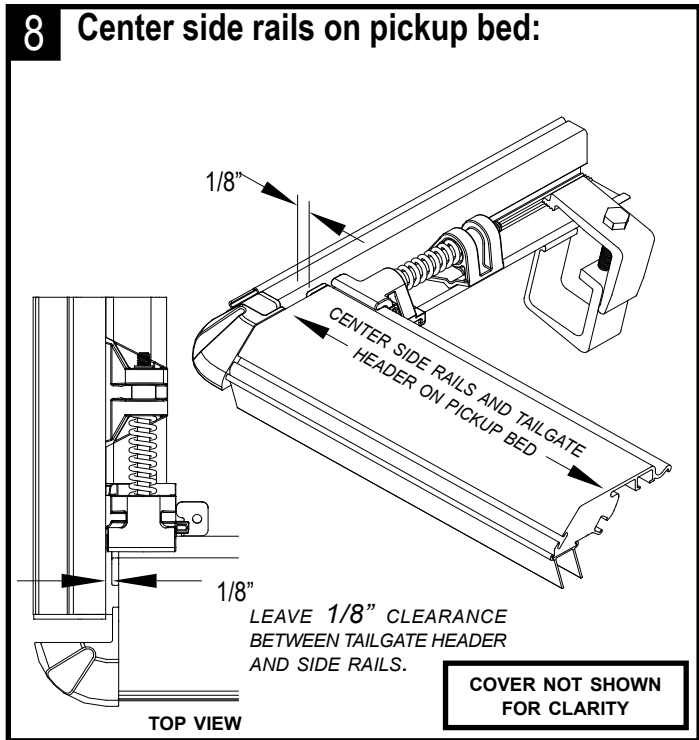
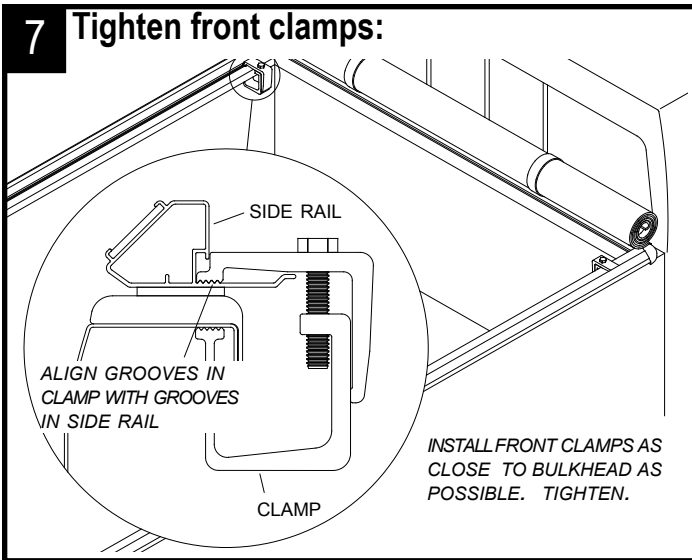


TruXedo, Inc.

P.O. Box 1078, 2209 Kellen Gross Dr., Yankton, South Dakota 57078
Call Toll Free: 1-877-TRUXEDO (1-877-878-9336) Fax: (605) 664-9304
Visit Us Online: <http://www.truxedo.com>



P/N 1116032 Rev W

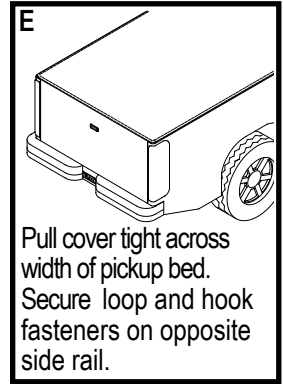
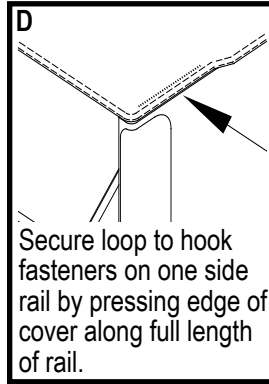
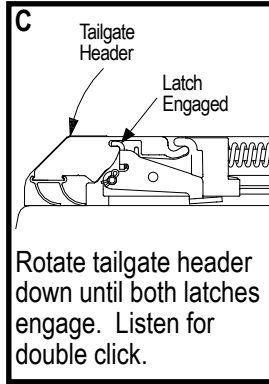
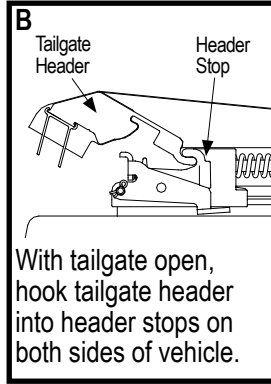


TruXedo, Inc.

P.O. Box 1078, 2209 Kellen Gross Dr., Yankton, South Dakota 57078
 Call Toll Free: 1-877-TRUXEDO (1-877-878-9336) Fax: (605) 664-9304
 Visit Us Online: <http://www.truxedo.com>



12 Close cover:



- To prevent accidental release of tailgate header, ensure header is securely latched to side rails on both sides of pickup bed before driving vehicle.
- To prevent wind lift, secure loop and hook fasteners along entire length of both side rails before driving vehicle.

13 Cover tension:

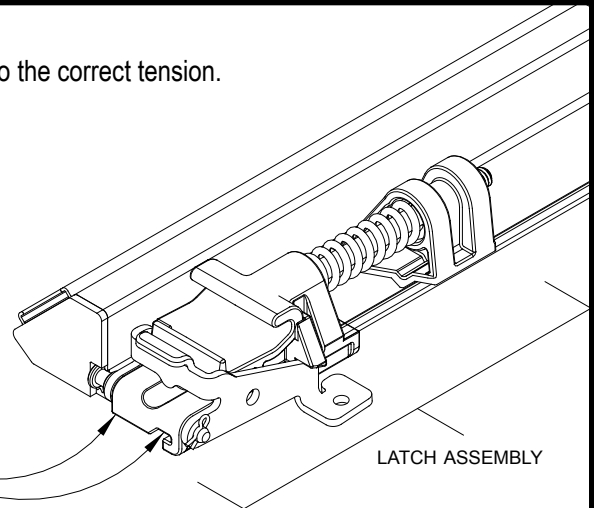
There is no need to adjust cover length tension. The Latch Assembly is set to the correct tension.
Any modification done to this will VOID warranty.

Keeping cover taut:

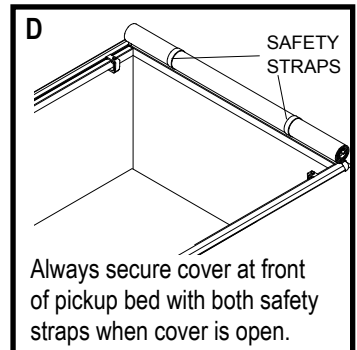
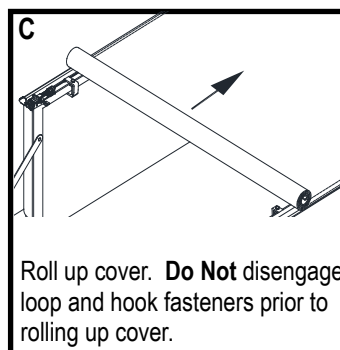
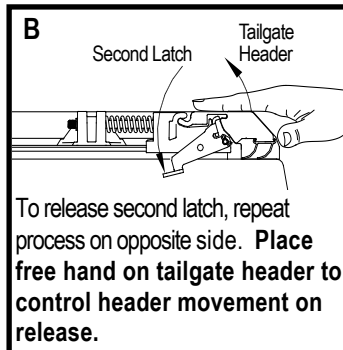
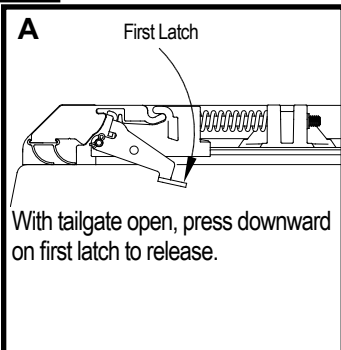
Periodically or as needed, pull cover tight across width of pickup bed, secure loop and hook on side rails.

For ease of operation, periodically clean with high pressure water to remove dirt and dust.

Cover may appear loose or relaxed in cooler or cold conditions.
 Cover may appear tight in warmer or hot conditions.



14 Open cover:



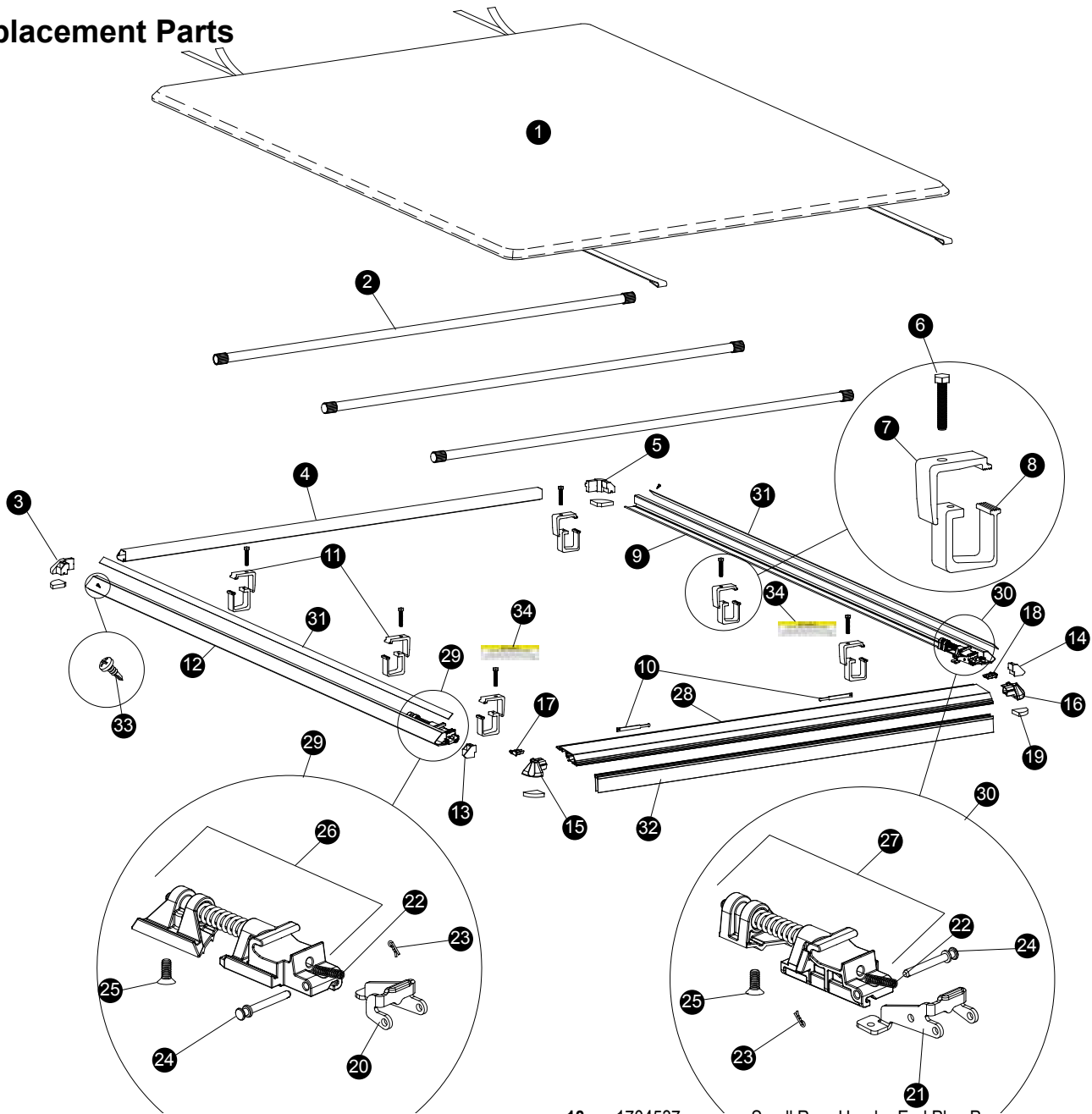
TruXedo, Inc.

P.O. Box 1078, 2209 Kellen Gross Dr., Yankton, South Dakota 57078
 Call Toll Free: 1-877-TRUXEDO (1-877-878-9336) Fax: (605) 664-9304
 Visit Us Online: <http://www.truxedo.com>



P/N 1116032 Rev W

Replacement Parts



1	*	Truxport® Cover	18	1704537	Small Rear Header End Plug Pass.
2	*	Bow	19	1703568	Four Corners Weather Seal
3	1703558	Corner Plug	20	1704748	Latch Driver's Side
4	*	Cab End Header	21	1704749	Latch Pass. Side
5	1703557	Corner Plug	22	1704530	Compression Spring
6	1704470	Cap Screw, 5/16" x 1 3/4"	23	1704533	Hitch Pin
7	1703530	Male Clamp	24	1704890	Double Head Clevis Pin
8	1703531	Female Clamp	25	1703560	Flat Head Cap Screw
9	*	Passenger's Side Rail	26	1704562	Latch Plunger Pre-Assy Driver's Side
10	1116028	Safety Clips	27	1704563	Latch Plunger Pre-Assy Pass. Side
11	1703561	Clamp Assembly	28	*	Tailgate Header
12	*	Driver's Side Rail	29	1704573	Complete Latch Assy, Driver's Side
13	1703569	End Plug Driver's Side	30	1704574	Complete Latch Assy, Passenger's Side
14	1703570	End Plug Pass. Side	31	*	Hook Fastener
15	1704534	Large Rear Header End Plug Driver's	32	*	Rear Header Seal
16	1704535	Large Rear Header End Plug Pass.	33	1703690	Self-Drilling Screw, #6 X 3/8"
17	1704536	Small Rear Header End Plug Driver's	34	1703750	Decal Dual Latch

* Please specify length or make and model of vehicle.

TruXedo, Inc.

P.O. Box 1078, 2209 Kellen Gross Dr., Yankton, South Dakota 57078
 Call Toll Free: 1-877-TRUXEDO (1-877-878-9336) Fax: (605) 664-9304
 Visit Us Online: <http://www.truxedo.com>



P/N 1116032 Rev W

FIVE YEAR WARRANTY

TruXedo, Inc. warrants that all new, unused products are free from defects in material and workmanship. This Five Year Limited Warranty is effective if the product is properly installed and used for the purpose intended. It applies to the original buyer only. TruXedo's obligation under this Warranty is limited to repairing, or at its option, replacing any part that is returned, transportation prepaid, to TruXedo, Inc., Yankton, South Dakota, if the product is, in our judgment, defective. All materials must be accompanied by an RMA (Returned Material Authorization) number requested by and authorized in advance of returning the materials. TruXedo, Inc. shall not be liable or responsible to supply or pay labor to replace any part found defective, nor shall it be liable for any damages of any kind or nature to person, product, or property.

There are no Warranties for used products or products that have been repaired, altered, modified, subjected to misuse, negligence, accident or ordinary wear and tear.

DIRECT ALL WARRANTY CLAIMS TO TRUXEDO, INC. AT 1-877-878-9336



WARNING

Tighten clamps securely on side rails before driving vehicle, to prevent cover from blowing off.

1. Do not place objects on or against cover or framework.
2. Do not tie cargo to TruXport framework.
3. **Never** allow children or pets to occupy pickup box while cover is closed.
4. Cover is not airtight. Special care is required to keep cargo clean and dry.
5. Fabric cover won't prevent theft of contents inside truck box.
6. Cover must be rolled fully open and secured with safety straps when towing vehicle backwards.
7. Opened cover must be secured with both safety straps when driving vehicle.

OWNER/USER RESPONSIBILITIES

It is the responsibility of the owner/user to read this manual and comply with the operating procedures. The owner/user is also responsible for inspecting their TruXport® cover, and for having parts repaired or replaced when worn or damaged.

Failure to follow safety instructions and warning labels could result in failure of your cover system and/or personal injury.

MESSAGES TO INSTALLER

- Always wear safety glasses and/or other necessary protective equipment when installing your TruXport®.
- These instructions are complete for most pickup models. Additional instructions are included, if required for your pickup. Please read entire manual before installing your TruXport®.

COVER MAINTENANCE

Never use silicon, petroleum, or citrus based products on your tonneau cover.

Vinyl cover can be hand washed with mild soap and water or cleaned in a car wash. Thoroughly rinse cover to remove any soap residue. Cover can be treated with any vinyl protectant made for tonneau covers.

Questions?

Call our friendly customer service staff at TruXedo, Inc. Toll Free:

1-877-878-9336

Mon - Fri 8 am - 5 pm CT

Register online at www.truxport.com or mail this form to: TruXedo, P.O. Box 1078, Yankton, SD 57078-1078

Name: _____
Address: _____
City: _____ State: _____ Zip: _____
Phone Number: _____
Email Address: _____
Date Purchased: _____ Product Purchased:
Price Paid: _____ TruXedo Lo Pro QT
Dealer Name: _____ TruXedo Deuce
Pickup Make: _____ TruXport
Model: _____ Original TruXedo
Year: _____ TruXedoPlus

TruXedo, Inc.

P.O. Box 1078, 2209 Kellen Gross Dr., Yankton, South Dakota 57078

Call Toll Free: 1-877-TRUXEDO (1-877-878-9336) Fax: (605) 664-9304

Visit Us Online: <http://www.truxedo.com>



P/N 1116032 Rev W